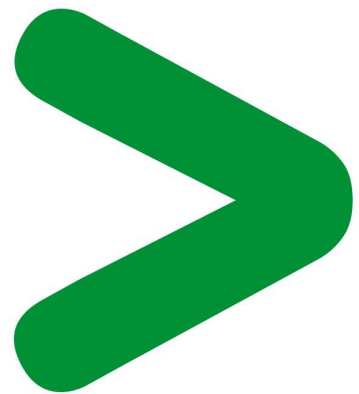


# Product End-of-Life Instructions

nEW Electronic Controller



# Product End-of-Life Instructions – EoLI

## Product overview

**Product Range:** nEW Electronic Controller

**Marketing Model/Name:** NW17●●●●●●, NW22●●●●●●, NW2E●●●●●●, NW2O●●●●●●, NW2EYI0MCFB80

**Size:** H x L x D in mm = 36 x 82 x 56

**Weight** in g = 235,65

## Purpose

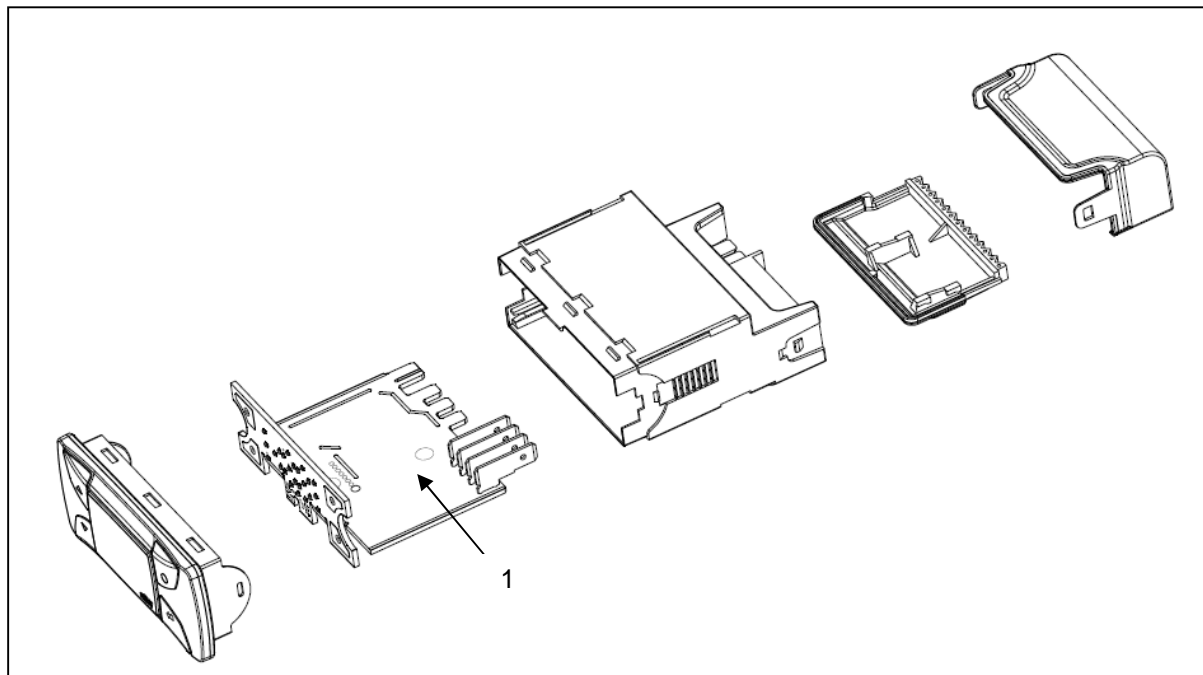
The product family must be disposed according to the legislation of the country. This document is intended for use by end of life recyclers or treatment facilities. It provides the basic information to assure an appropriate end of life treatment for the components and materials of the product.

## Operations recommended for the end of life treatment

There are several steps to process the products at the end of life so as to recover components, materials or energy :

**Reuse → Separation for special treatment → Other dismantling → Shredding**

The components of the products that optimize the recycling performances are listed, identified and located hereunder.



Recommendation	Number on drawing	Components	Weight (in g)	Comment
Depollution		PCBA	68	

EoLI achieved with Schneider-Electric TT03 V6 procedure

### Eliwell Controls srl

Società Unipersonale

Sede legale ed operativa:  
15, Via Dell'Industria – Z.I. Paludi  
32010 Pieve D'Alpago (BL) Italia  
Tel. +39 0437 98 61 11  
eliwell@schneider-electric.com

C.F. e P.IVA IT 00987080256  
Reg.Impr. BL 00987080256  
R.E.A: BL n.87539  
Cap. Soc. Euro 10.000.000,00 i.v.